

Section 9

RIGHT-HAND DRIVE CARS FROM SERIAL NUMBER 9000

APPLICATION	SHEET No.
Engine Compartment Looms	1
Interior Looms	2
Left-hand and Right-hand Body Looms, Console and Door Looms	3
Fuseboard and Sockets	4

Printed in England

April 1971

T.S.D. 2476

PRACTICAL WIRING DIAGRAMS

Sheet 1
Engine Compartment Looms

for
Rolls-Royce Silver Shadow
and
Bentley T Series

**RIGHT-HAND DRIVE CARS FROM
SERIAL NUMBER 9000**

T. S. D. Publications 2723

© Rolls-Royce Limited 1970.

"This document is the property of Rolls-Royce Limited and may not be copied or communicated to a third party or used for any purpose other than that for which it is supplied without the express written authority of Rolls-Royce Limited."

"Whilst the information in this document given in good faith based upon the latest knowledge available to Rolls-Royce Limited, Rolls-Royce Limited gives no warranty or representation concerning such information, and such information must not be taken as establishing any contractual or other commitment on the part of Rolls-Royce Limited."

KEY TO DIAGRAM

CABLE COLOURS

B - BLACK	R - RED	P - PURPLE
S - SLATE	Y - YELLOW	M - BROWN
G - GREEN	U - BLUE	W - WHITE

CABLE SIZES

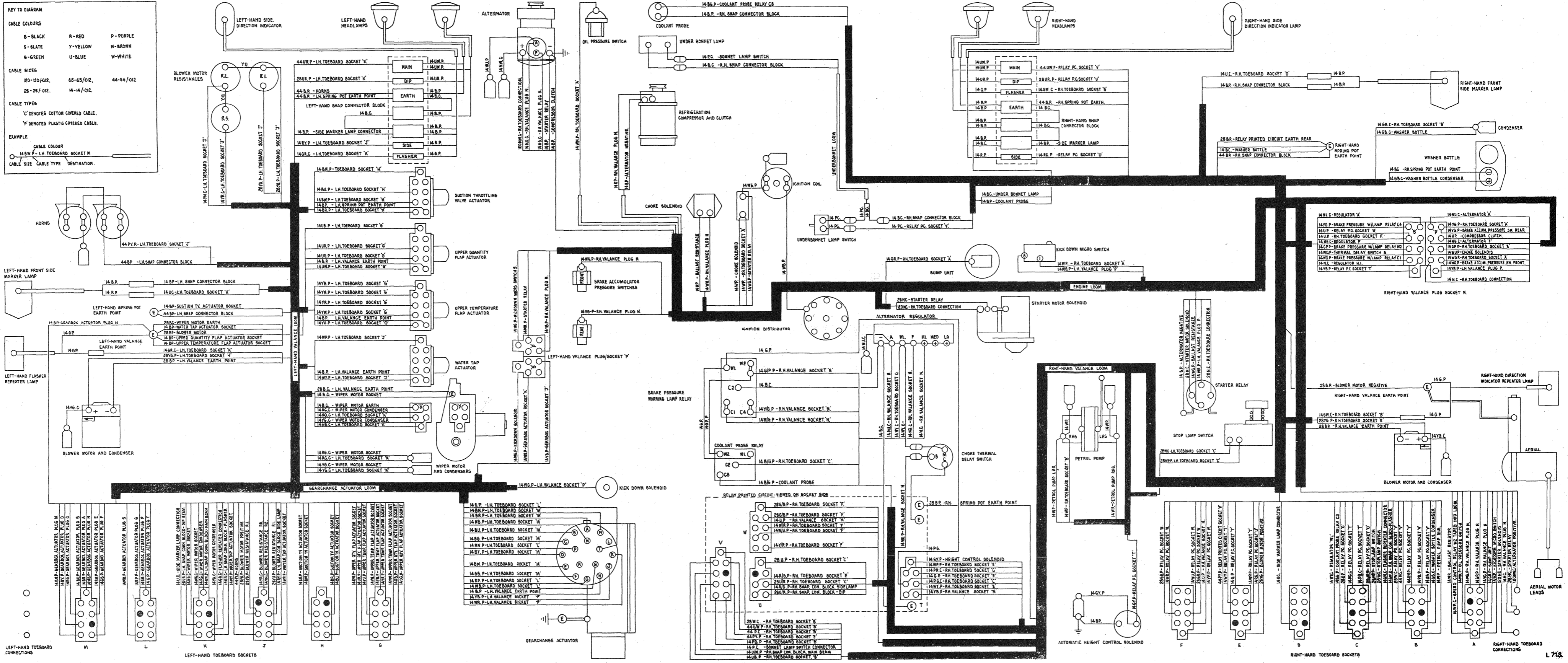
120-120/OI2.	65-65/OI2.	44-44/OI2
28-28/OI2.	14-14/OI2.	

CABLE TYPES

'C' DENOTES COTTON COVERED CABLE.
'P' DENOTES PLASTIC COVERED CABLE.

EXAMPLE

CABLE COLOUR: B
CABLE SIZE: 14
CABLE TYPE: P
DESTINATION: M



PRACTICAL WIRING DIAGRAMS

Sheet 2
Interior Looms

for
Rolls-Royce Silver Shadow
and
Bentley T Series

**RIGHT-HAND DRIVE CARS FROM
SERIAL NUMBER 9000**

T. S. D. Publications 2723

"© Rolls-Royce Limited 1970".

"This document is the property of Rolls-Royce Limited and may not be copied or communicated to a third party or used for any purpose other than that for which it is supplied without the express written authority of Rolls-Royce Limited."

"Whilst the information in this document given in good faith based upon the latest knowledge available to Rolls-Royce Limited, Rolls-Royce Limited gives no warranty or representation concerning such information, and such information must not be taken as establishing any contractual or other commitment on the part of Rolls-Royce Limited."

PRACTICAL WIRING DIAGRAMS

Sheet 3
Left-hand and Right-hand Body Looms
Console and Door Looms

for
Rolls-Royce Silver Shadow
and
Bentley T Series

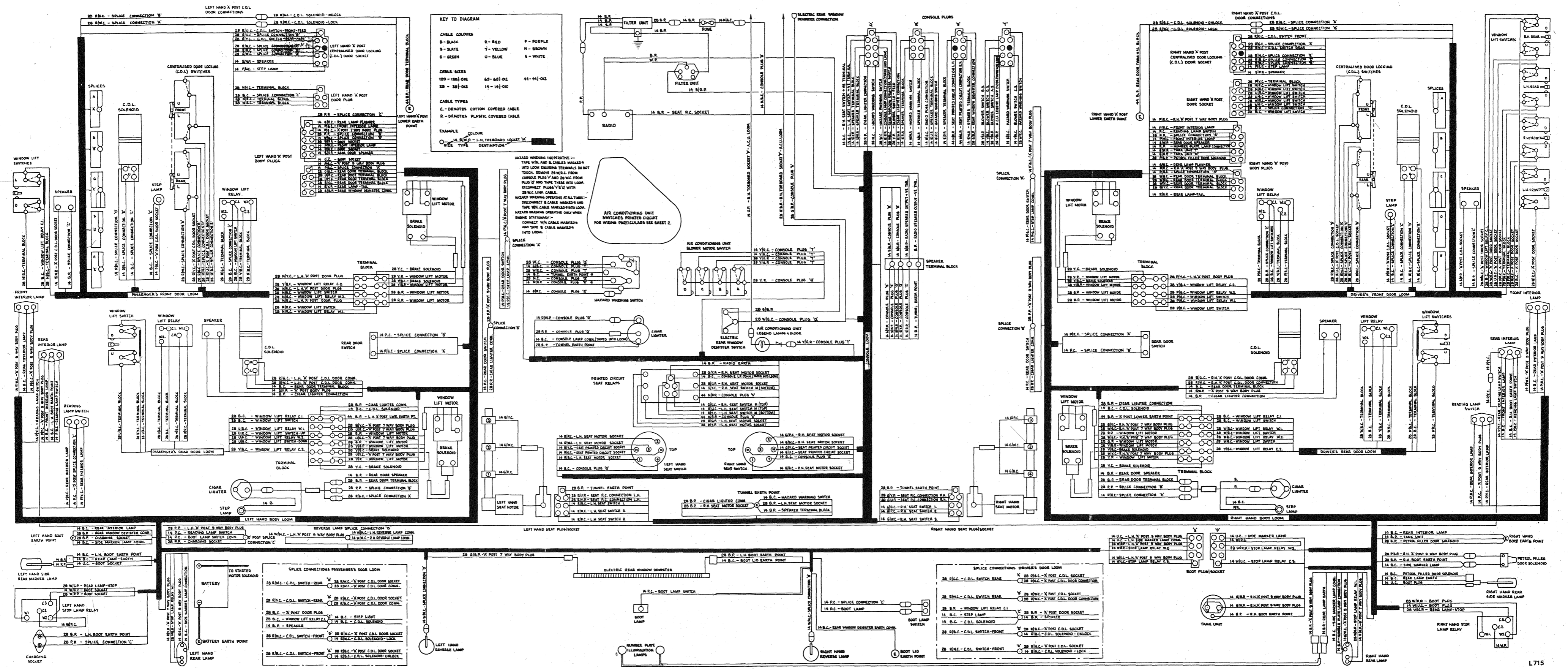
RIGHT-HAND DRIVE CARS FROM
SERIAL NUMBER 9000

T. S. D. Publications 2723

© Rolls-Royce Limited 1970.

"This document is the property of Rolls-Royce Limited and may not be copied or communicated to a third party or used for any purpose other than that for which it is supplied without the express written authority of Rolls-Royce Limited."

"Whilst the information in this document given in good faith based upon the latest knowledge available to Rolls-Royce Limited, Rolls-Royce Limited gives no warranty or representation concerning such information, and such information must not be taken as establishing any contractual or other commitment on the part of Rolls-Royce Limited."



PRACTICAL WIRING DIAGRAMS

Sheet 4
Fuseboard and Sockets

for
Rolls-Royce Silver Shadow
and
Bentley T Series

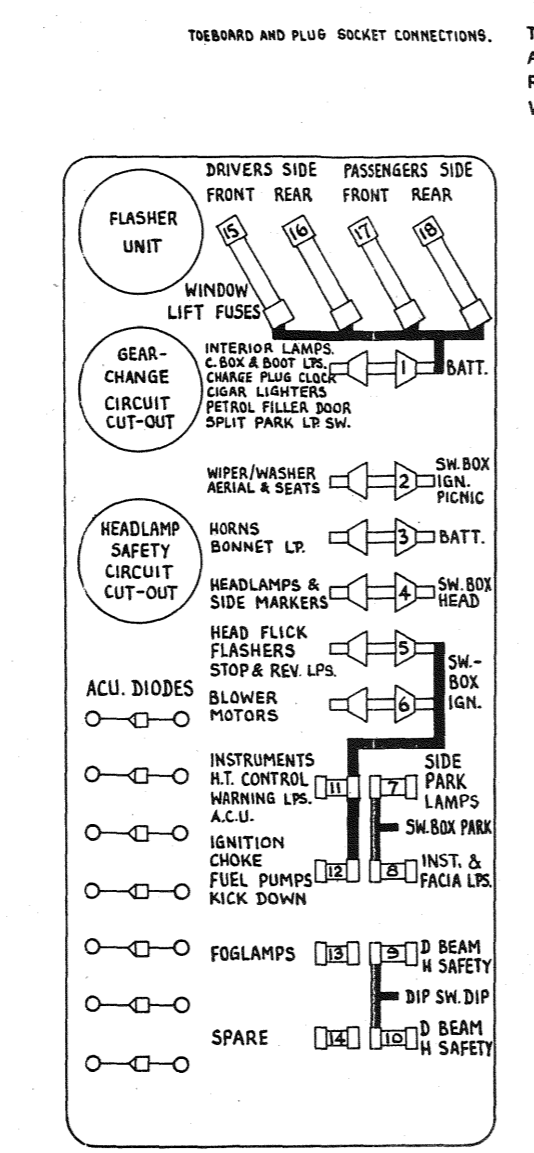
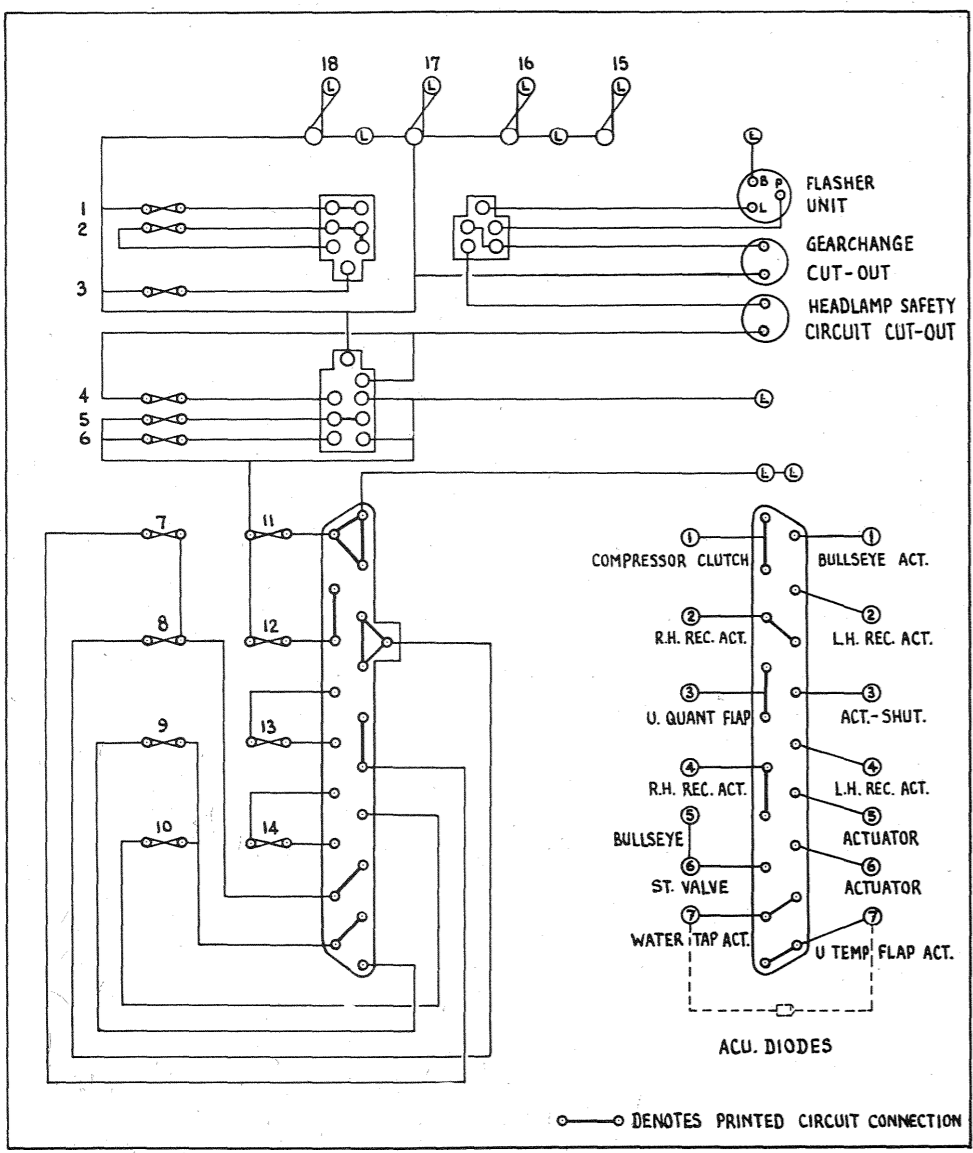
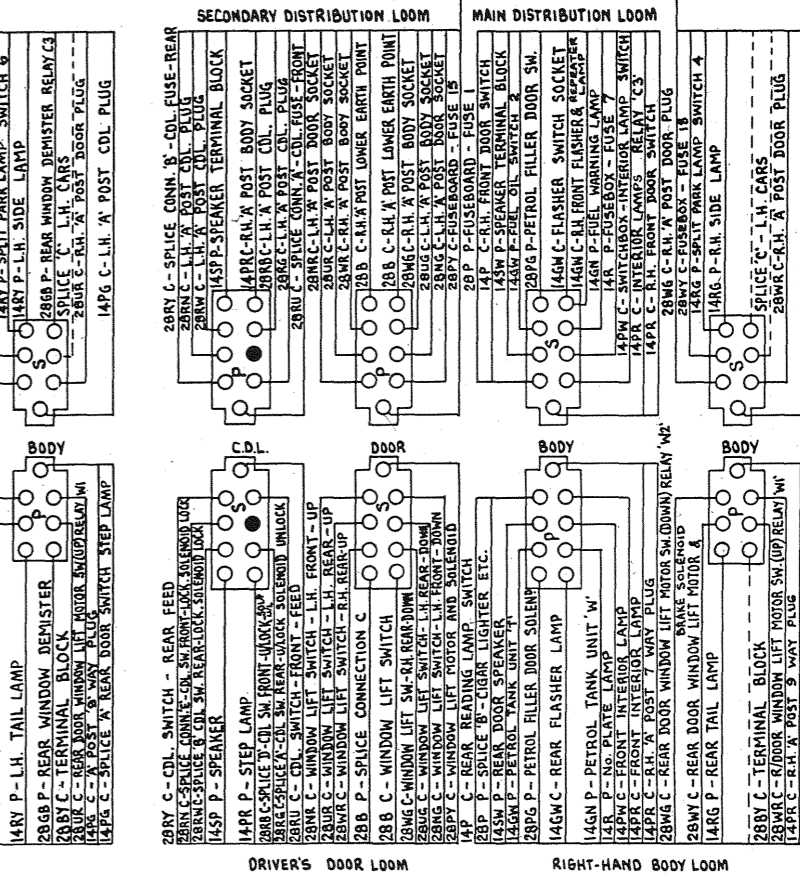
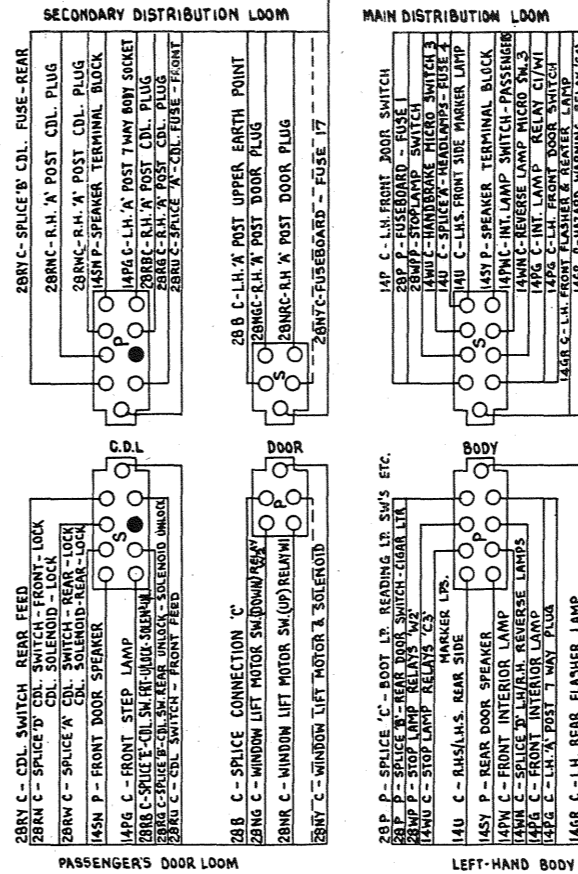
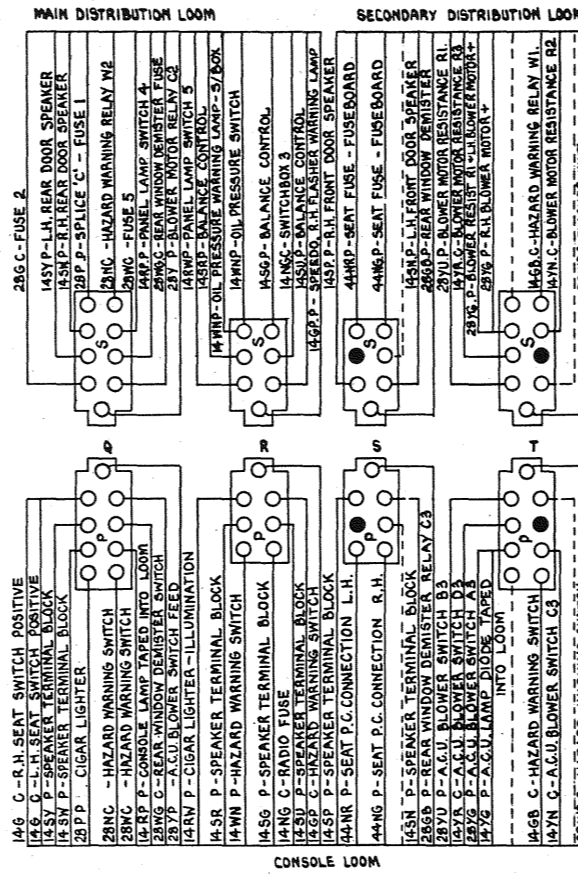
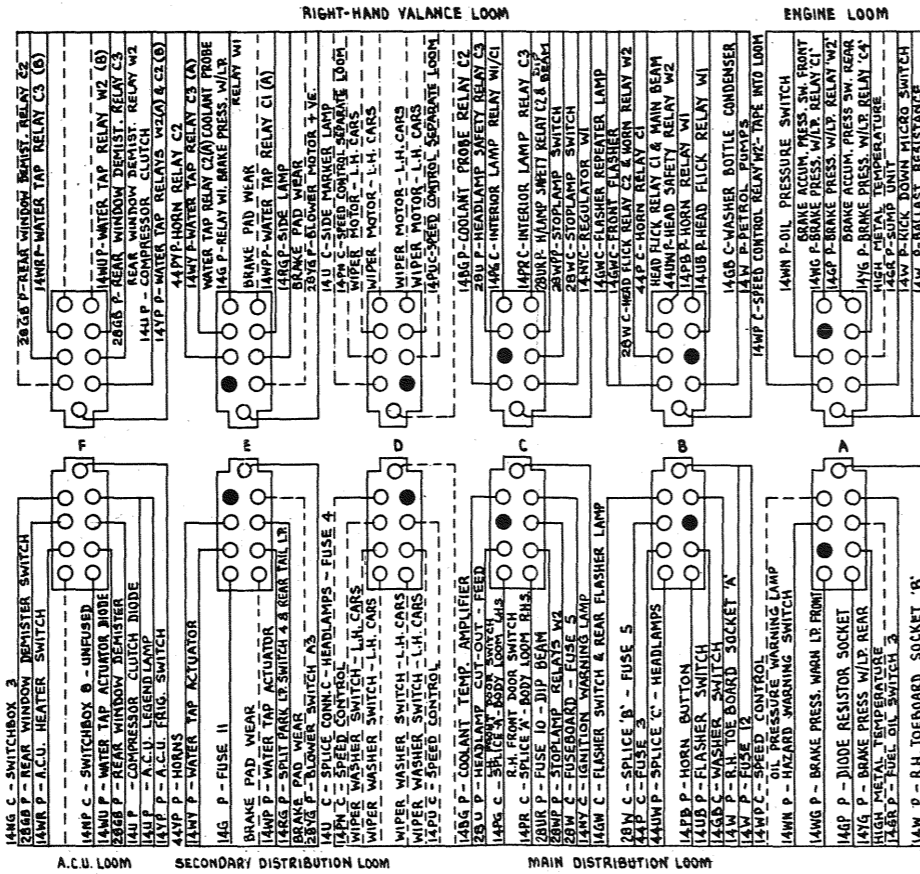
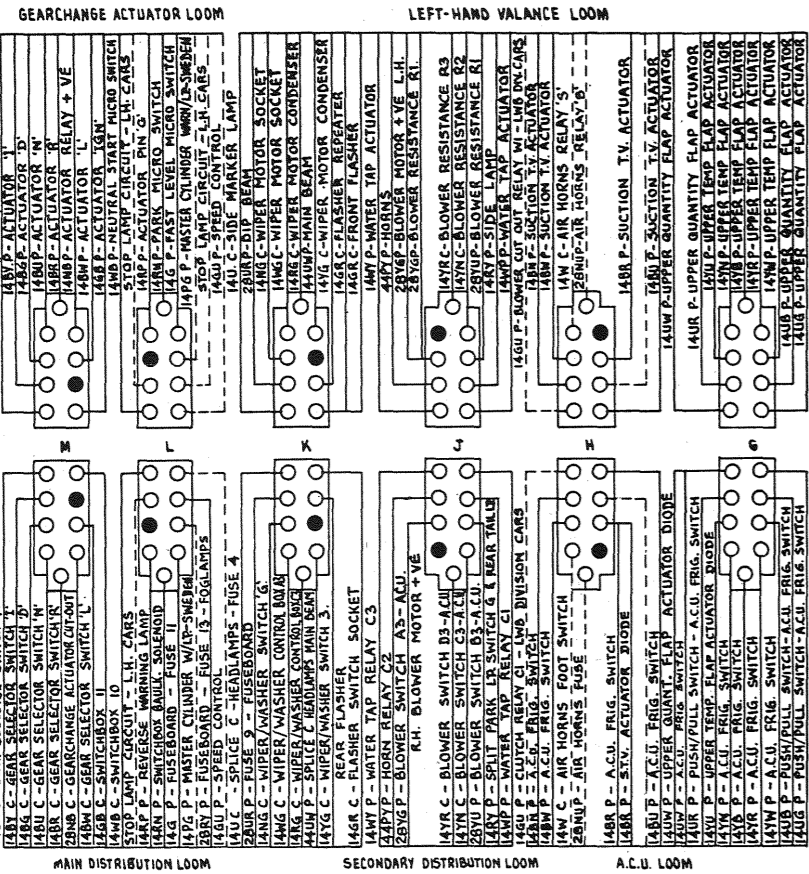
**RIGHT-HAND DRIVE CARS FROM
SERIAL NUMBER 9000**

T. S. D. Publications 2723

© Rolls-Royce Limited 1970.

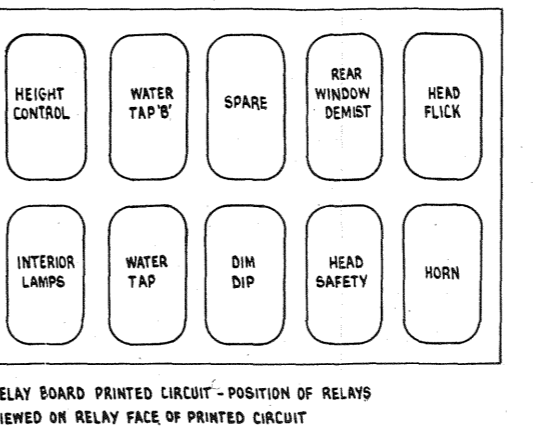
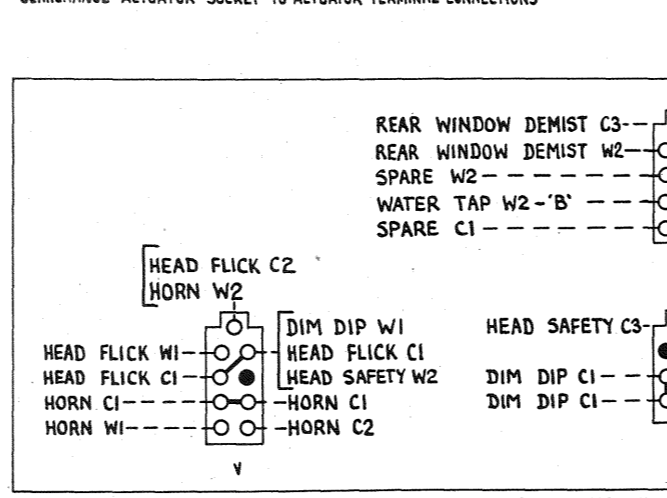
"This document is the property of Rolls-Royce Limited and may not be copied or communicated to a third party or used for any purpose other than that for which it is supplied without the express written authority of Rolls-Royce Limited."

"Whilst the information in this document given in good faith based upon the latest knowledge available to Rolls-Royce Limited, Rolls-Royce Limited gives no warranty or representation concerning such information, and such information must not be taken as establishing any contractual or other commitment on the part of Rolls-Royce Limited."



TO ENABLE THE ABOVE CABLE CONNECTIONS TO BE EASILY FOLLOWED THE CHARTS SHOW THE ACTUAL ORIGIN AND DESTINATION OF EACH CABLE BUT DO NOT TAKE INTO ACCOUNT THE RUN OF THE CABLE WITHIN THE LOOMS. TO OBTAIN THIS INFORMATION SEE THE PRACTICAL WIRING DIAGRAM ON SHEETS 1, 2, 3.

CABLE	FROM	TO
14 BRP	PIN 'A' RECEPTACLE-SOCKET	TERMINAL 'R' ACTUATOR
14 BUP	PIN 'B' RECEPTACLE-SOCKET	TERMINAL 'N' ACTUATOR
14 BGP	PIN 'C' RECEPTACLE-SOCKET	TERMINAL 'D' ACTUATOR
14 BVP	PIN 'D' RECEPTACLE-SOCKET	TERMINAL 'I' ACTUATOR
14 BWP	PIN 'E' RECEPTACLE-SOCKET	TERMINAL 'L' ACTUATOR
14 GBP	PIN 'F' RECEPTACLE-SOCKET	TERMINAL 'IGN' ACTUATOR
14 BP	PIN 'H' RECEPTACLE-SOCKET	EARTH
14 YBP	PIN 'J' RECEPTACLE-SOCKET	N FAST LEVEL MICRO SWITCH 2
14 WRP	PIN 'K' RECEPTACLE-SOCKET	N START MICRO SWITCH 1
14 BNP	PIN 'M' RECEPTACLE-SOCKET	TERMINAL 'P' ACTUATOR
14 NBP	PIN 'N' RECEPTACLE-SOCKET	RELAY POSITIVE
14 RNP	PIN 'P' RECEPTACLE-SOCKET	PARK MICRO SWITCH 3
14 WP	PIN 'R' RECEPTACLE-SOCKET	PIN 'R' RECEPTACLE-SOCKET
14 WBP	PIN 'S' RECEPTACLE-SOCKET	N START MICRO SWITCH 1
14 GP	PIN 'T' RECEPTACLE-SOCKET	N FAST LEVEL MICRO SWITCH 2

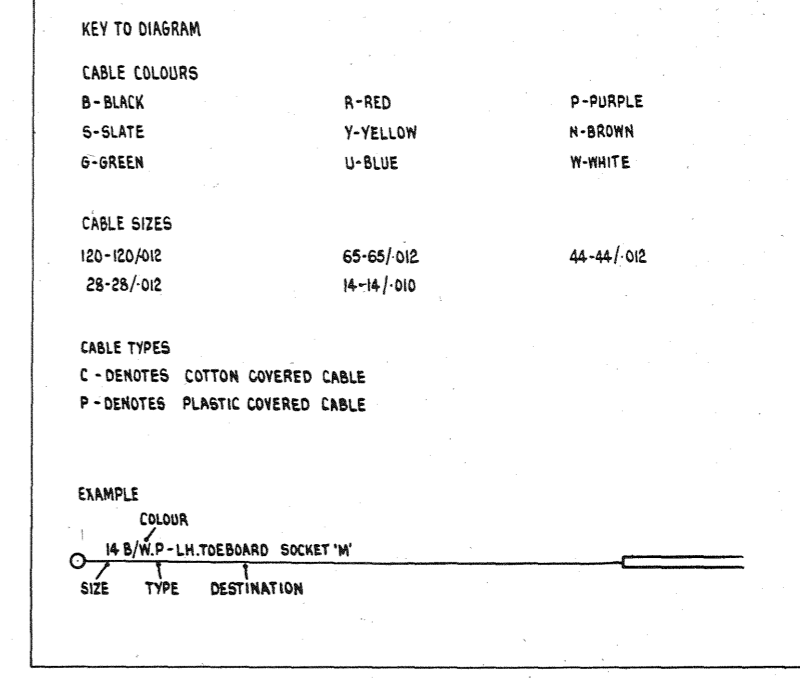


RELAY BOARD PRINTED CIRCUIT - POSITION OF RELAYS VIEWED ON RELAY FACE OF PRINTED CIRCUIT

'M' TERMINAL ON HEAD SAFETY, BOTH WATER TAP, HT. CONTROL, SPARE AND REAR WINDOW DEMIST. RELAYS EARTHED AS 'W2' ON INTERIOR LAMPS RELAY BOARD PRINTED CIRCUIT - RELAYS TO SOCKET CONNECTIONS - VIEWED ON SOCKET FACE OF PRINTED CIRCUIT

TERMINAL	FEED FOR	POSITION SERVICES	TERMINAL CONNECTIONS
2	LIGHTING SWITCH - FROM 6	LOCKED NONE	NONE
3	GEN. WARN L & FUSE 2	UNLOCKED ELECTRIC G/CHANGE ON	II TO 12
4	FUSE 4 - HEADLAMPS	IGNITION ON ALL EXCEPT STARTER	3 & 8 TO +VE: II TO 12
5	FUSES 7 & 8	START	3 & 8 TO +VE: II TO 12
6	FEED TO S/BOX FROM AMMETER/SUM	PICNIC	RADIO WIPERS ETC. 3 TO +VE
7	FUSE 13		
8	FUSES 5 & 6 REAR WINDOW DEMIST. FUSE		
9	STARTER CIRCUIT		
11	GEARBOX ACTUATOR 'IGN' TERMINAL		
12	FROM L.H. X POST UPPER EARTH POINT		
+	IGNITION SWITCH - FROM 6		

SWITCHBOX PARTICULARS



FUSEBOARD PRINTED CIRCUIT - SOCKET AND FUSE CONNECTIONS - VIEWED ON SOCKET FACE OF PRINTED CIRCUIT

FUSEBOARD IDENTIFICATION