

Dimensions in mm

A = 63.00

B = 40.00

C = 15.00

D = 7.80

E = 53.00

F = 83.50

G = 20.00

H = 35.00

I = 18.89

K = 5.0 → 5.83 (TAPER)

J = 4.98

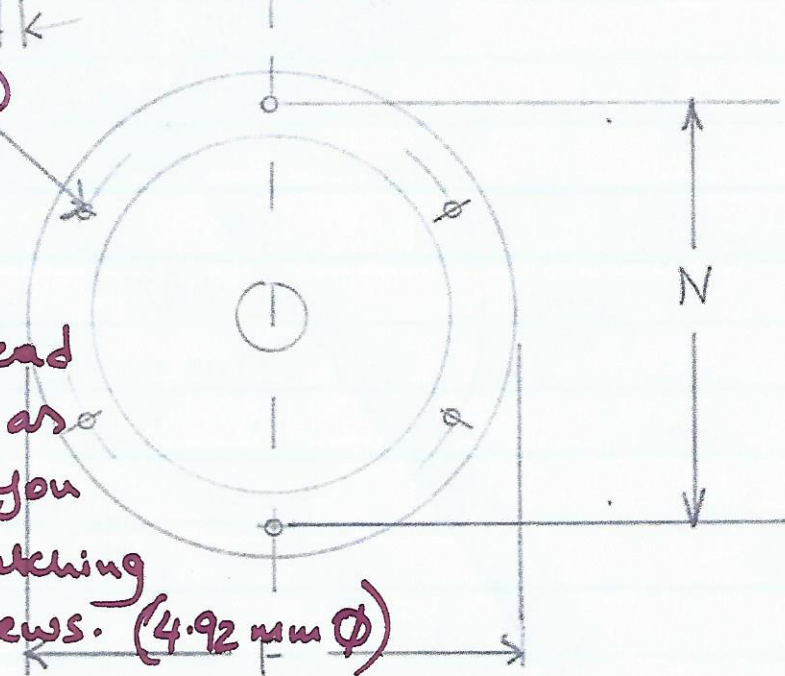
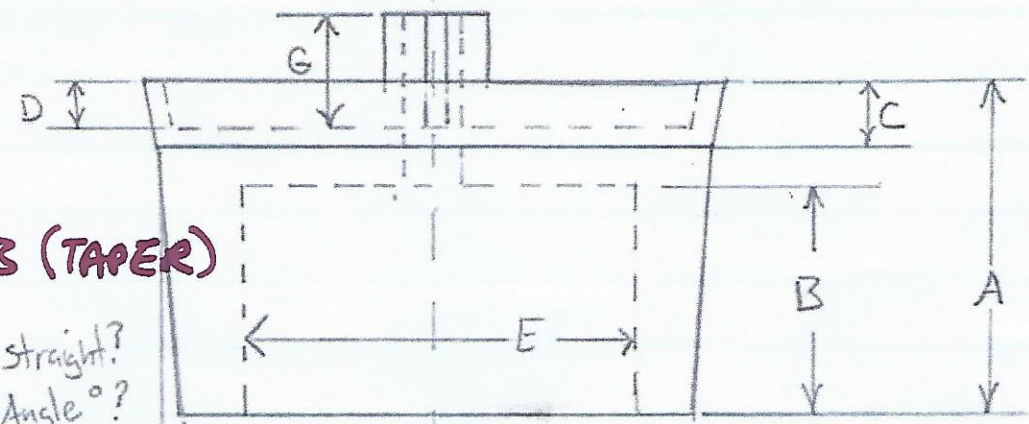
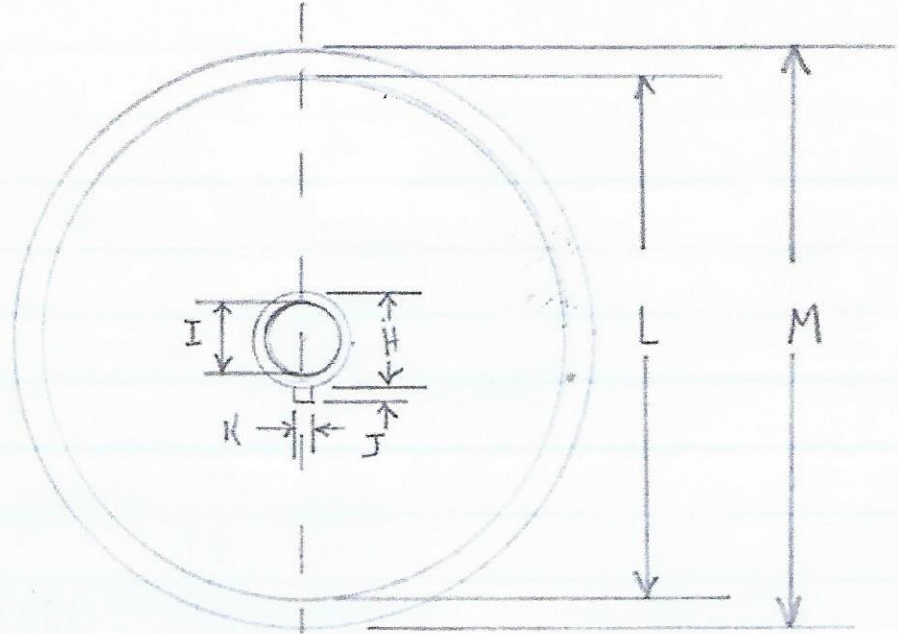
L = 109.52

M = 120.00

N = 70.00

straight?  
Angle °?

Thread desc.  
Any thread will do as long as you have matching CSK screws. (4.92 mm  $\phi$ )



Rolls Royce Steering Wheel Hub  
FOR MOMO WHEEL