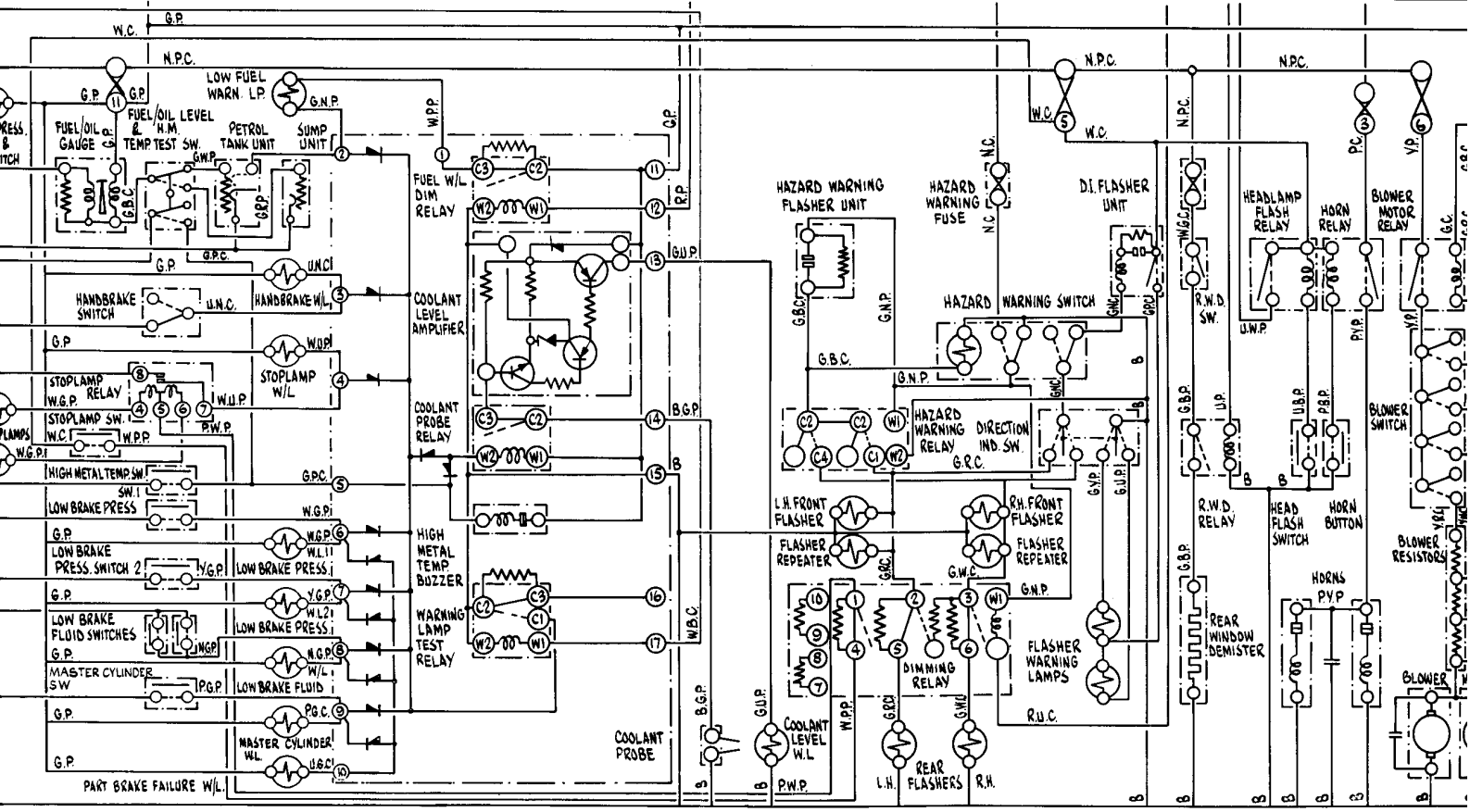
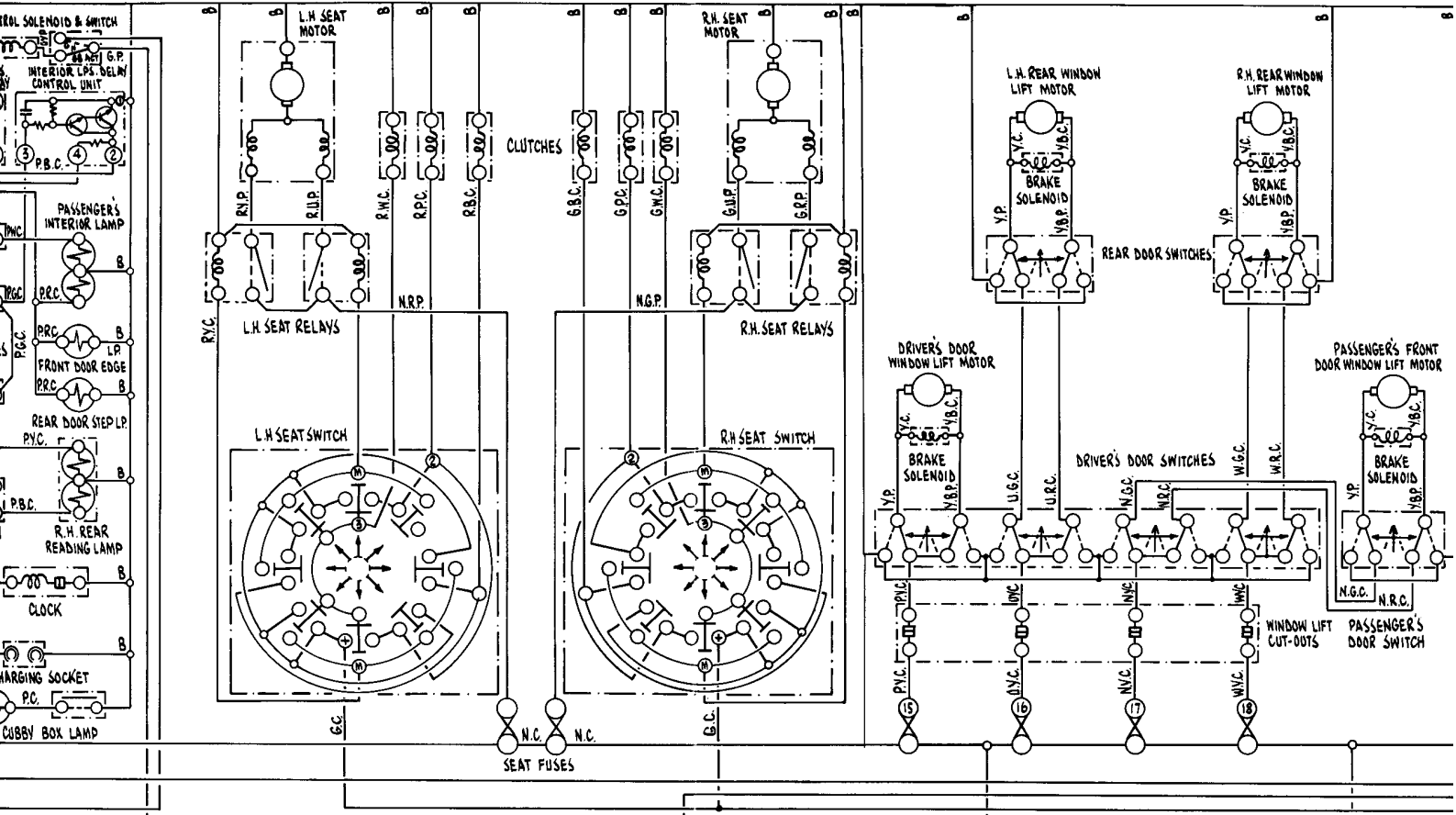


ELECTRICALLY OPERATED SEATS

ELECTRIC WINDOW LIFTS WITH P.M. MOTORS



STOPLAMPS, WARNING LAMPS, FUEL GAUGE, HIGH METAL TEMPERATURE BUZZER, COOLANT PROBE.

DIRECTION INDICATORS, HAZARD WARNING

REAR WINDOW DEMISTER

HORNS

BLOWER MOTORS