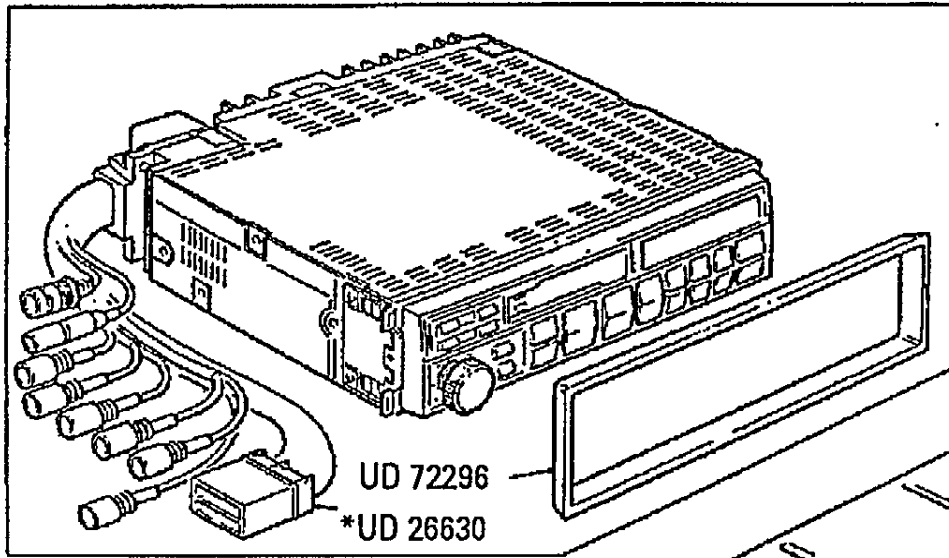
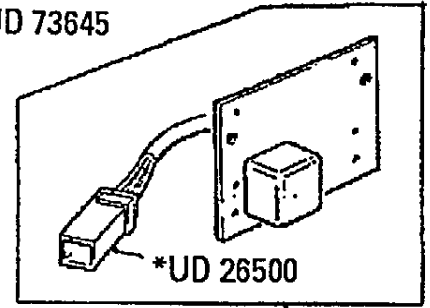


Parts marked thus * refer to Additional Information

< Left-hand side > Right-hand side

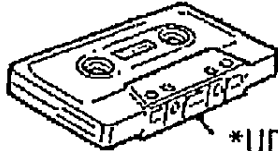
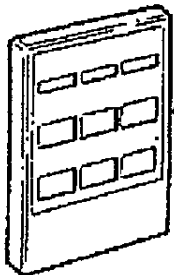


*UD 73645



UD 71757

UD 74186



*UD 73651

