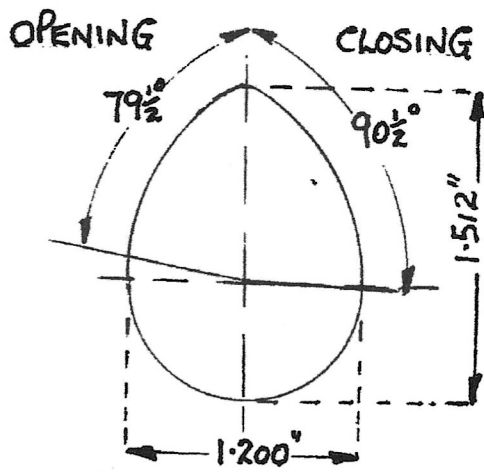
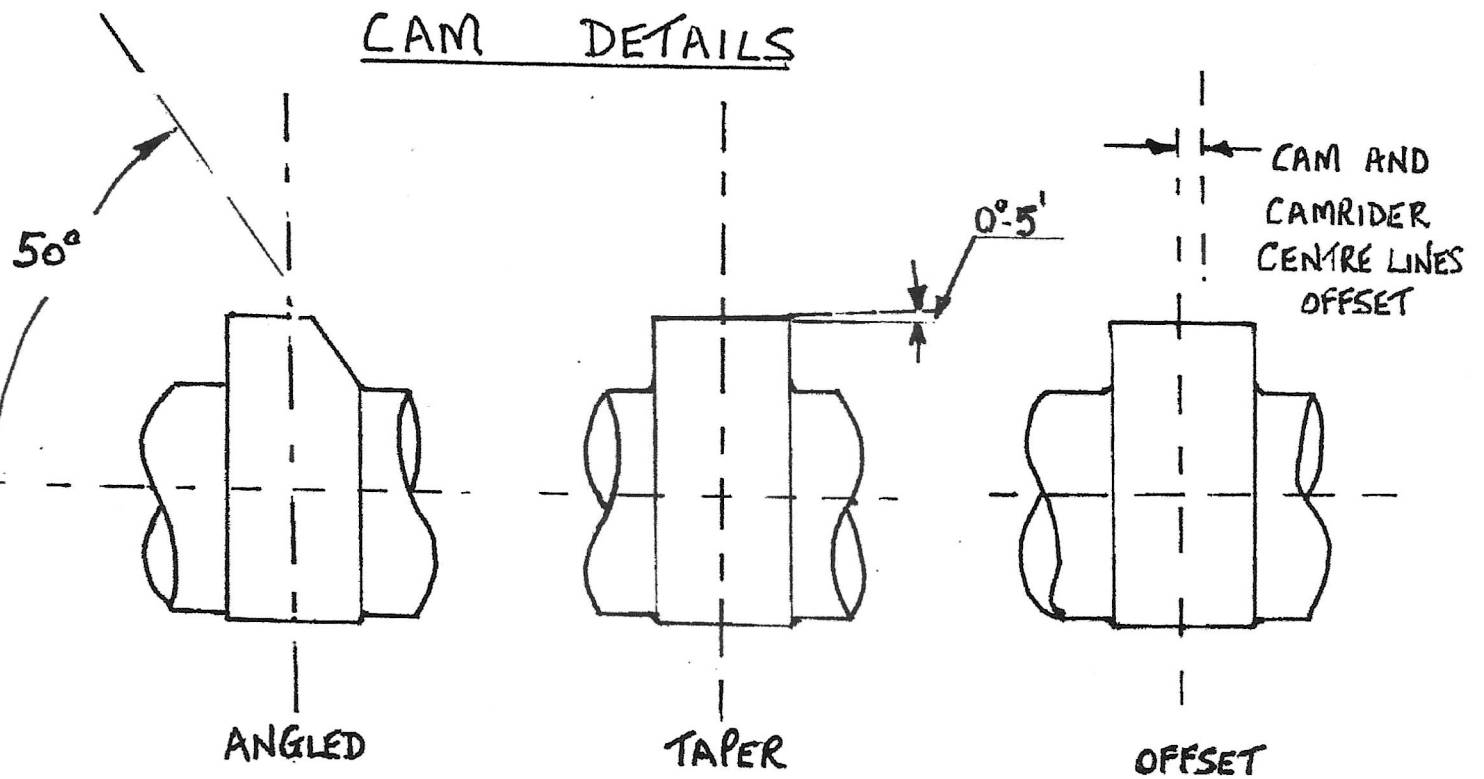
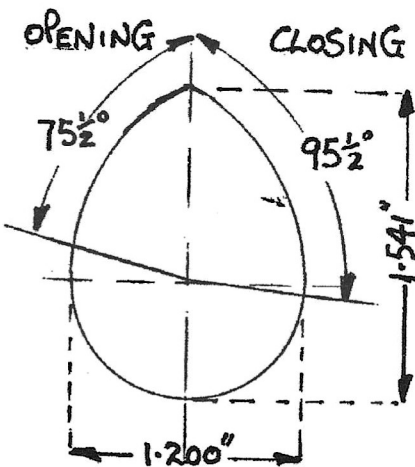


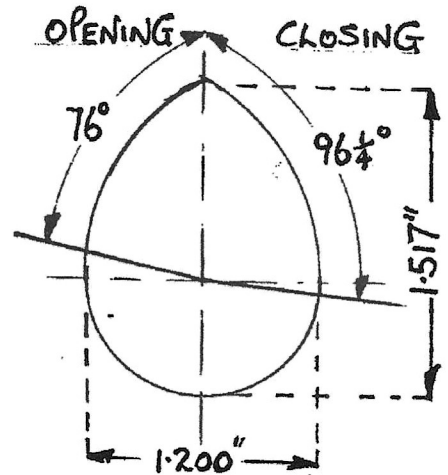
CAM DETAILS



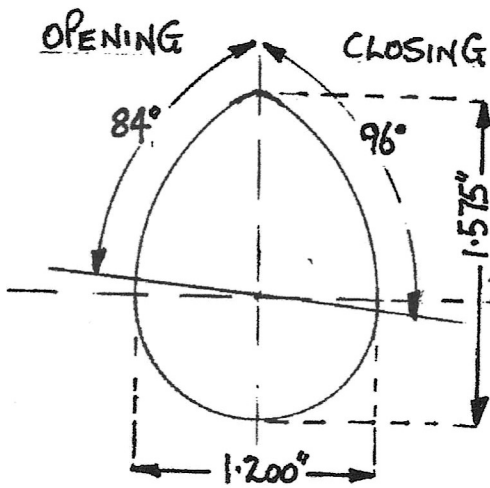
EB4020



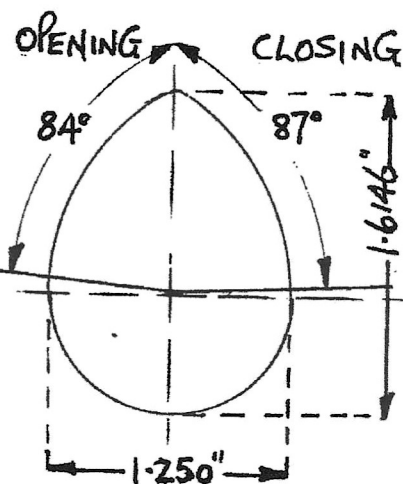
EB4331



RE4550



EB4019



RE 21617

KEY
TOP: - METHODS USED TO ROTATE CAM RIDERS

CENTRE: - INLET CAMS

BOTTOM: - EXHAUST CAMS

NOTE: - ROTATION OF ALL CAMS IS ANTI-CLOCKWISE AS VIEWED.