

Fig. 1.—DIAGRAM OF CHASSIS LUBRICATION SYSTEM.
MANUAL GEARBOX

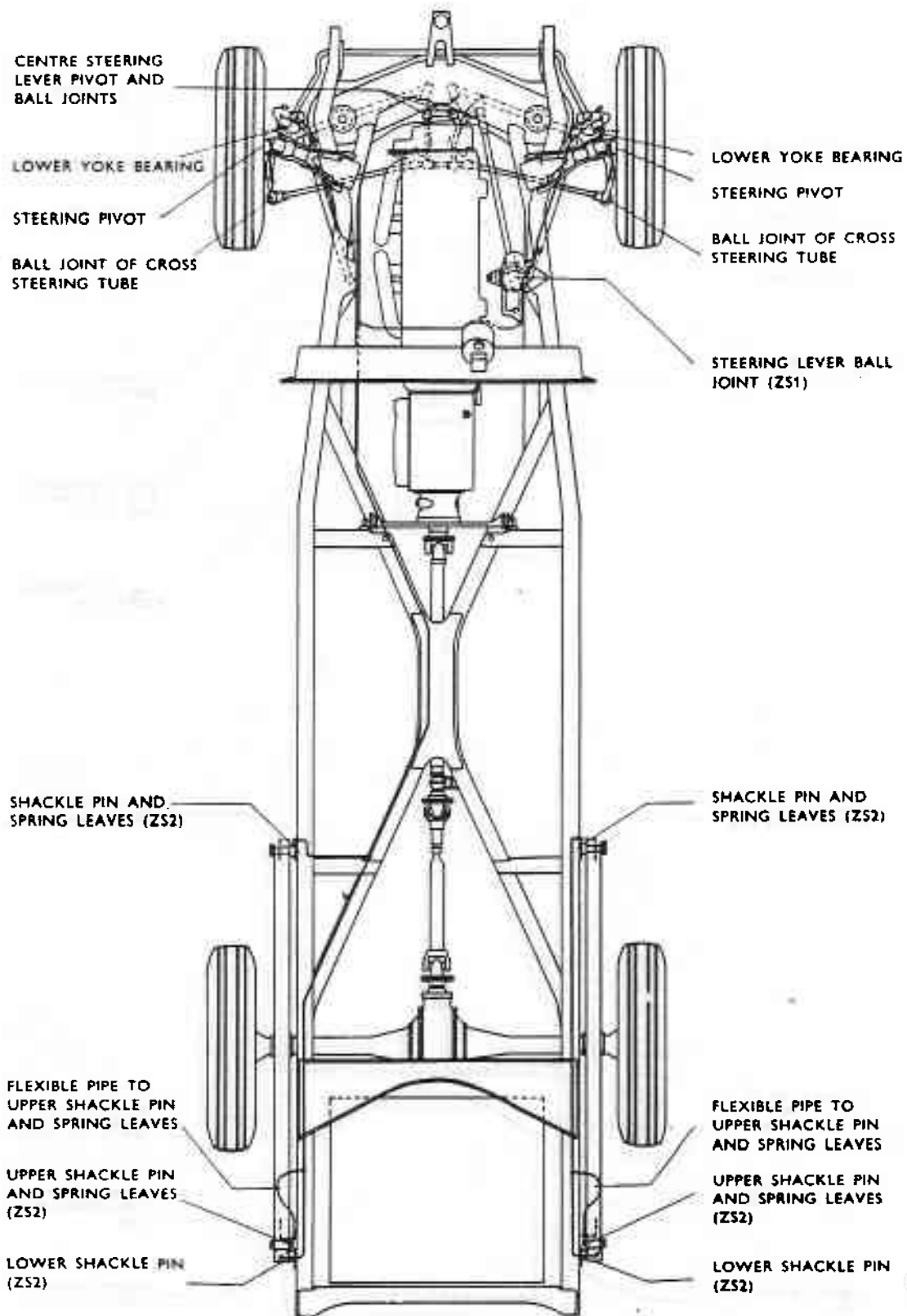


Fig. 2—DIAGRAM OF CHASSIS LUBRICATION SYSTEM.

AUTO GEARBOX